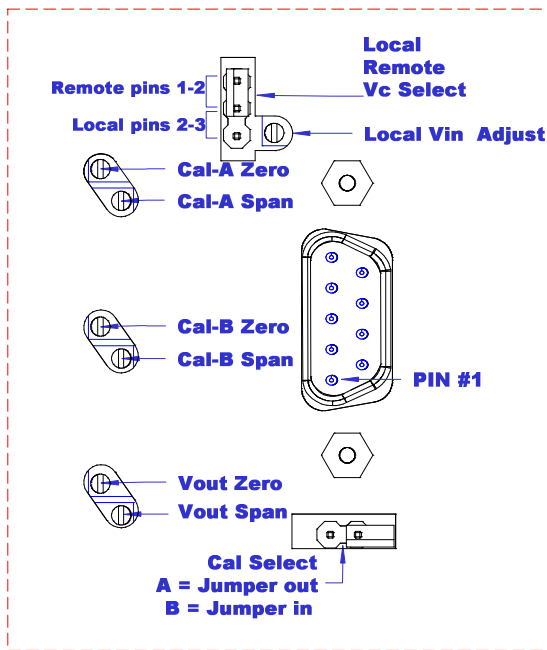
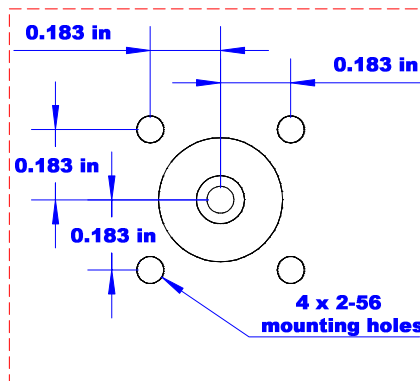


DETAIL A



DETAIL B



Analog 9-Pin D-sub Pinout:

- P1: + Power
- P2: + Vc Control
- P3: + Vout Readback
- P4: Purge (Ground Pin)
- P5: - Power Ground
- P6: - Signal Ground
- P7: - Signal Ground
- P8: No Connect
- P9: Cal Select Open = A Gnd = B